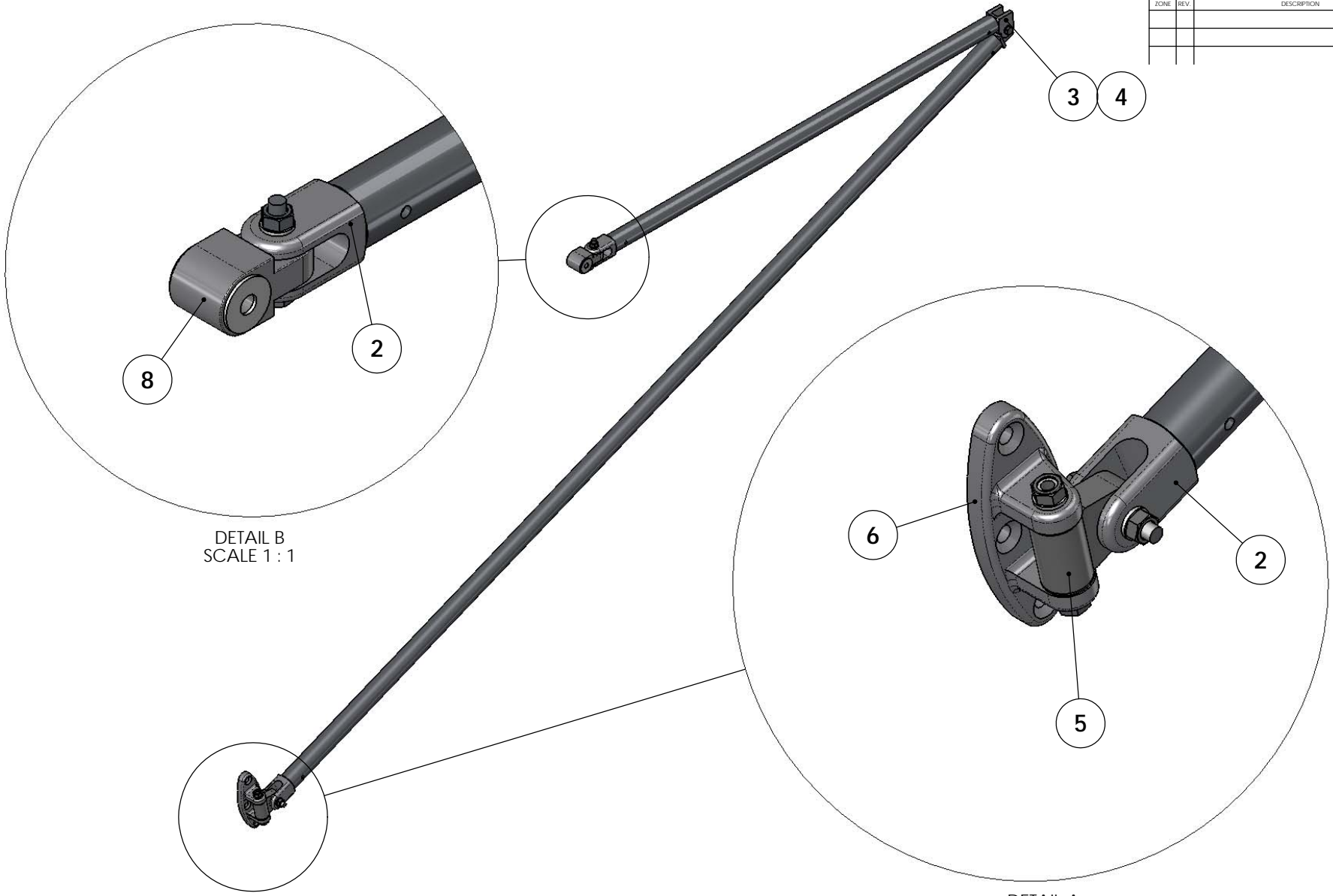


| REVISIONS |     |             |      |          |
|-----------|-----|-------------|------|----------|
| ZONE      | REV | DESCRIPTION | DATE | APPROVED |
|           |     |             |      |          |
|           |     |             |      |          |
|           |     |             |      |          |



DETAIL B  
SCALE 1 : 1

DETAIL A  
SCALE 1 : 1

| ITEM NO.                  | QTY. | PART NO. | OUTRIGGER PARTS DESCRIPTION                     | DWG. NUMBER |
|---------------------------|------|----------|-------------------------------------------------|-------------|
| <b>LAYOUT FOLDING ARM</b> |      |          |                                                 |             |
| 1                         | 2    | 1293305  | LANYARD CABLE 8" - 1/4"                         | N/A         |
| 2                         | 2    | 1464300  | BRACE JAW, ORN#12                               | 15172       |
| 3                         | 1    | 1473100  | KNUCKLE, ORN#14 MALE                            | 15192       |
| 4                         | 1    | 1473700  | KNUCKLE, ORN#15 FEMALE                          | 15202       |
| 5                         | 1    | 1491015  | OUTRIGGER SWIVEL BASE LINK                      | 14701       |
| 6                         | 1    | 1515300  | BASE PAD, ORN#11                                | 19552       |
| 7                         | 2    | 1557330  | QUICK RELEASE PIN, "D" 5/16" X 2", DETENT STYLE | N/A         |
| 8                         | 1    | 1783740  | SWIVEL BRACE ORN#10                             | 12551       |

PROPRIETARY AND CONFIDENTIAL  
THE INFORMATION CONTAINED IN THIS  
DRAWING IS THE SOLE PROPERTY OF  
PIPEWELDERS MARINE INC. ANY  
REPRODUCTION IN PART OR AS A WHOLE  
WITHOUT THE WRITTEN PERMISSION OF  
PIPEWELDERS MARINE INC. IS  
PROHIBITED.

|                                        |  |             |  |                                 |                                 |                                                   |  |
|----------------------------------------|--|-------------|--|---------------------------------|---------------------------------|---------------------------------------------------|--|
| UNLESS OTHERWISE SPECIFIED:            |  | DRAWN       |  | DATE                            | NAME                            | PIPEWELDERS MARINE INC.<br>FORT LAUDERDALE FL USA |  |
| DIMENSIONS ARE IN INCHES               |  | 1-19-16     |  | BA                              | ARM O/R LAYOUT<br>FOLDING (BDA) |                                                   |  |
| TOLERANCES:                            |  | CHECKED     |  | PART NO.                        |                                 |                                                   |  |
| FRACTIONAL: 1/64                       |  | ENG APPR    |  | 1157700                         |                                 |                                                   |  |
| ANGULAR: MACH #2 BEND #0.5             |  | MFG APPR    |  | SIZE DWG. NO.                   |                                 |                                                   |  |
| TWO PLACE DECIMAL: ±0.010              |  | C.A.        |  | C 1157700                       |                                 |                                                   |  |
| THREE PLACE DECIMAL: ±0.005            |  | FINISH      |  | SCALE: 1:8 WEIGHT: SHEET 1 OF 1 |                                 |                                                   |  |
| INTERPRET GEOMETRIC<br>TOLERANCING PER |  | APPLICATION |  | DO NOT SCALE DRAWING            |                                 |                                                   |  |
| MATERIAL                               |  | NEXT ASSY   |  | USED ON                         |                                 |                                                   |  |